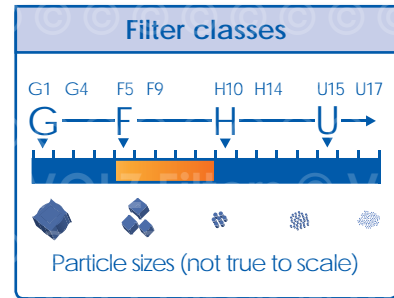




## Compact filter



### Applications

- For filtration in aerial engineering plants of all kinds
- Offices, hospitals, computer centers
- Pharmaceutical industry, fine mechanics and food industry
- Prefiltration, e.g. for HEPA filters
- For high air flow rates and a long durability

### Classification acc. to EN 779

- Filter class F5 (EU5)
- Filter class F6 (EU6)
- Filter class F7 (EU7)
- Filter class F8 (EU8)
- Filter class F9 (EU9)

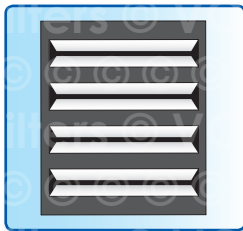
### Versions

- All frame components are made from plastic
- Optional in biostatic version
- Optional with gasket
- Fully incinerable version

### Material characteristics

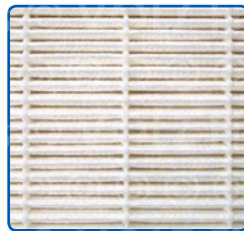
- Tested according to EN 779
- Secure installation through shatter-proof synthetic fibres
- Fire prevention requirements according to DIN 53438 (F1)
- Humidity resistant up to 100% r. h.
- Temperature resistant up to 60°C
- Lacquer compatibility according to IPA-control

## Benefits of VOLZ Filters



### Form stability

- Extremely stable welded casing



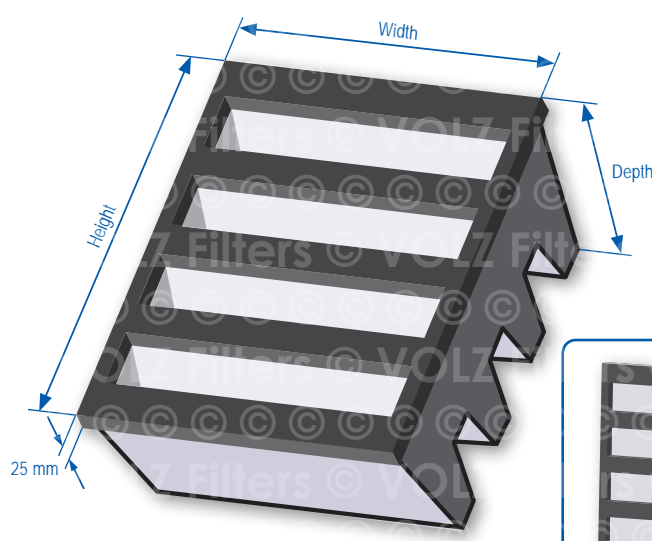
### Filter package

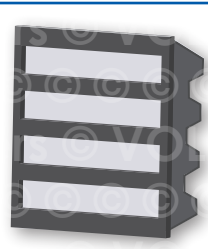
- Big filter area in small required space
- High dust holding capacity
- Long durability
- High performance fleece
- High pressure load (3500 Pa)



- Filter medium is produced in Germany
- Quality control of the complete production with internal filter test equipment and modern quality-management-tools
- Öko-Tex Standard 100 - tested for harmful substances
- Environment-friendly and easily disposable

Standard versions compact filter F5 - F9			
Width	Height	Depth	Filter surface
mm	mm	mm	m <sup>2</sup>
592	592	292	19
490	592	292	15
287	592	292	9.5

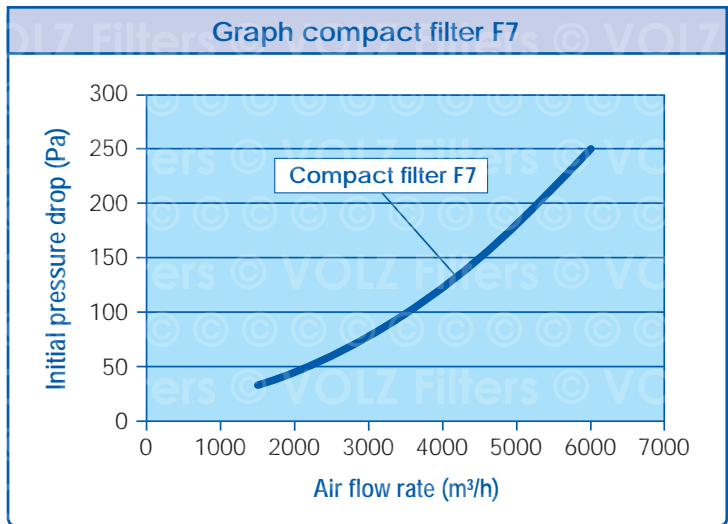




**Recommended installation for 592 x 592 x 292 mm\***

\*With temperatures up to 60 C

Compact filter; F7 (EU7) 592 x 592 x 292 mm; 8 filter packs		
Nominal air flow rate (Pa)	3400	5000
Initial pressure drop (Pa)	95	180
Recommended final pressure drop (Pa)	650	
Average efficiency (0.4µm) (%)	80 - 90	
Filter area (m <sup>2</sup> )	19	
<b>Information:</b> The recommended final pressure drop for compact filters is 650 Pa (filter classes F5 - F9)		



VOLZ Luftfilter GmbH & Co. KG

Robert-Bosch-Straße 25 Phone: +49 - (0)7451 - 5516 - 0 info@volzfilters.com  
D-72160 Horb am Neckar Fax: +49 - (0)7451 - 5516 - 120 www.volzfilters.com

All information, images and pictures are property of VOLZ Luftfilter GmbH & Co. KG and are provided to the best knowledge. However VOLZ Luftfilter GmbH & Co. KG does not guarantee the completeness or correctness and cannot be held responsible for damages caused by the recipient's usage or his confidence in the completeness or correctness of the information. The stated data contains average values with tolerances as a result of production irregularities; therefore it does not relieve the recipient of own examination and tests. For the correctness of the information in particular cases, an explicit and written affirmation through VOLZ Luftfilter GmbH & Co. KG is required. Furthermore, the data serves as a service description and cannot be interpreted as warranted properties or durabilities.